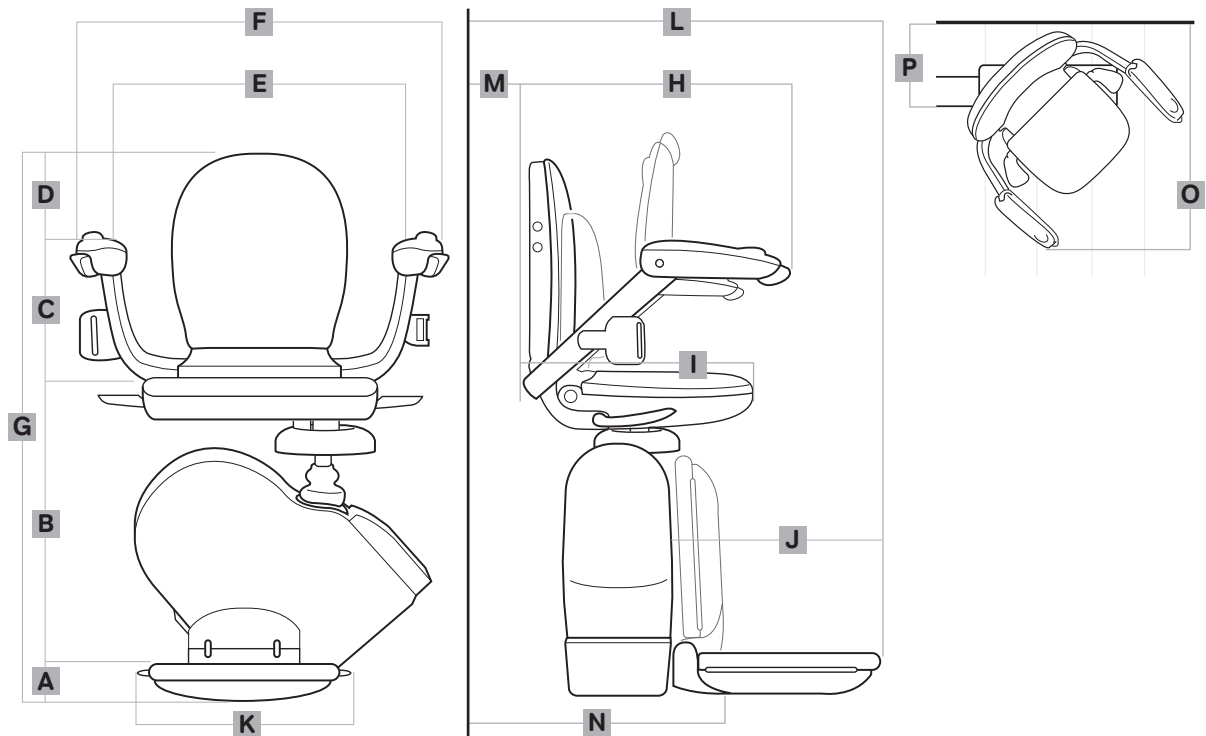


# Seat Specifications

## Brooks Straight Stairlift



### Dimensions

	mm	inch
<b>A</b> Floor to top of footrest	<b>85</b>	<b>3½</b>
<b>B</b> Top of footrest to top of seat	<b>455</b>	<b>18</b>
<b>C</b> Top of seat to top of arms	<b>250</b>	<b>10</b>
<b>D</b> Top of arms to top of seat back	<b>250</b>	<b>10</b>
<b>E</b> Width between armrests (Wide arm version)	<b>445 (495)</b>	<b>17½ (19½)</b>
<b>F</b> Overall width	<b>620</b>	<b>24½</b>
<b>G</b> Overall height	<b>975</b>	<b>38½</b>
<b>H</b> Length of arms from seat back	<b>470</b>	<b>18½</b>
<b>I</b> Length of seat base from seat back	<b>425</b>	<b>16¾</b>
<b>J</b> Length of footrest	<b>325</b>	<b>12¾</b>
<b>K</b> Width of footrest	<b>310</b>	<b>12¼</b>
<b>L</b> Front of footrest to stringer	<b>546</b>	<b>21½</b>
<b>M</b> Back of seat to stringer	<b>13</b>	<b>½</b>
<b>N</b> Folded width	<b>280</b>	<b>11</b>
<b>O</b> Minimum width required to swivel at top	<b>645</b>	<b>25½</b>
<b>P</b> Distance from front of rail to stringer (Wide arm version)	<b>210 (235)</b>	<b>8¼ (19¼)</b>

**Power supply input range** 90-264 VAC  
**Carriage power** 24 Volt DC batteries

Measurements are only a guide and subject to site and client survey.